

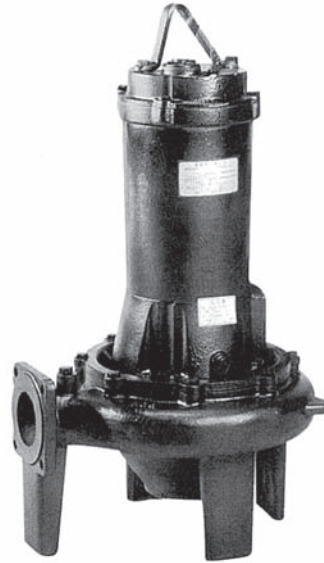
SUBMERSIBLE SEWAGE PUMPS (Single Channel Impeller)

APPLICATIONS

- Sewage
- Waste water

FEATURES

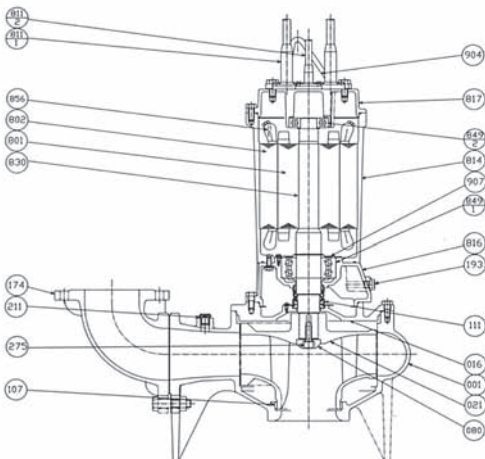
- Non-clog single channel impeller
- Permit minimum 3" solid passage
- Dry pit is available as optional



SPECIFICATIONS

Pump			
Liquid Handled	Type of liquid	Sewage, Wastewater	
	Temperature	0°C~40°C	
	Min solids size	76mm	
Maximum Submergence		8m	
Minimum Submergence		Refer to water level (L.W.L.) in dimensions It is possible to operate at low water level for 30min	
Synchronous Speed		1500min ⁻¹	
Construction	Mechanical seal	Double mechanical seal	
	Impeller	Single channel, non-clog	
	Bearing	Prelubricated bearing	
Material	Casing	Cast iron	
	Impeller	Cast iron	
	Shaft	403 Stainless steel	
	Mechanical Seal	Impeller side	Silicon carbide
	Seal	Motor side	Ceramic / Carbon
	Packing		NBR
Motor			
Type	4 pole, air-filled watertight		
Insulation	Class F		
Protection	Built-in overload protector (2.2kW) ; Built-in temperature detector protection (3.7 - 22kW)		
Accessories			
Standard	Submersible cable: 10m		
Optional	Quick discharge connector, Float switch (DML/DL only), Dry pit type (DML only)		

SECTIONAL VIEW

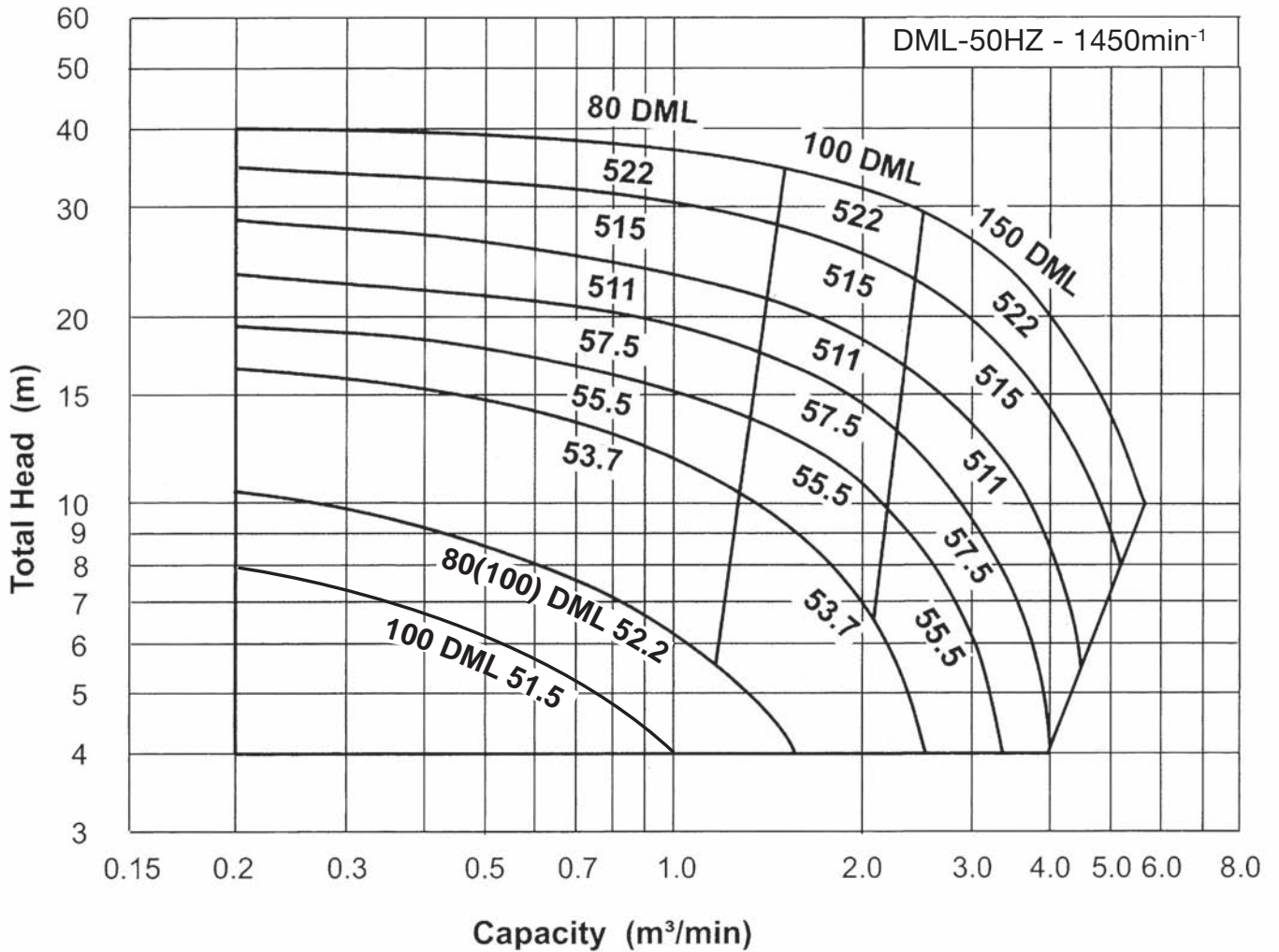


Item Number	Description	Material	Quantity per unit
001	Pump Casing	FC200 Cast iron	1
016	Mechanical Seal Cover	FC200 Cast iron	1
021	Impeller	FC200 Cast iron	1
080	Bushing	SS Steel	1
107	Wearing Ring	BC Bronze	1
111	Mechanical Seal		1
174	Discharge Pipe	FC200 Cast iron	1
193	Oil Plug	NBR/Stainless Steel	1 set
211	Airvent Valve	C3604 Brass	1
275	Impeller Bolt	SUS304 Stainless Steel	1
801	Rotor		1
802	Stator		1

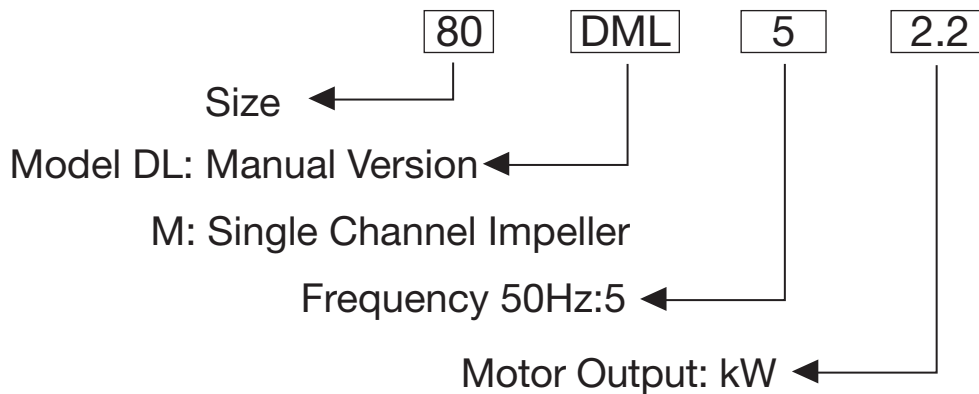
Item Number	Description	Material	Quantity per unit
811-1	Submersible Cable (Power)		2
811-2	Submersible Cable (signal)		1
814	Motor Frame	FC200 Cast iron	1
816	Power Side Bracket	FC200 Cast iron	1
817	Opposite Side Bracket	FC200 Cast iron	1
830	Shaft	SUS403 Stainless Steel	1
849-1	Ball Bearing		1
849-2	Ball Bearing		1
856	Thermal Protector		3
904	Lifting Hanger	SS Steel	1
907	Bearing Cover	SPCC Steel	1

SELECTION CHART

1450min⁻¹



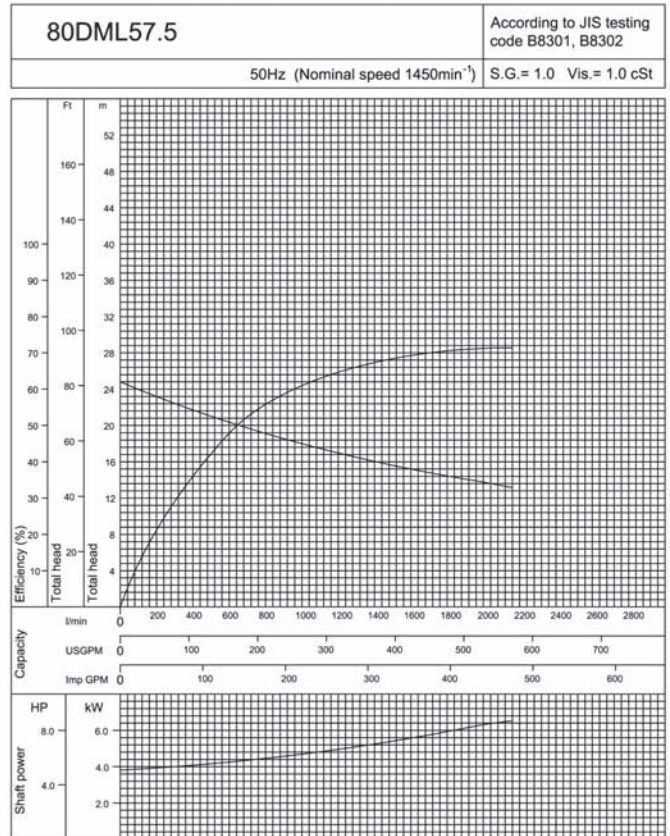
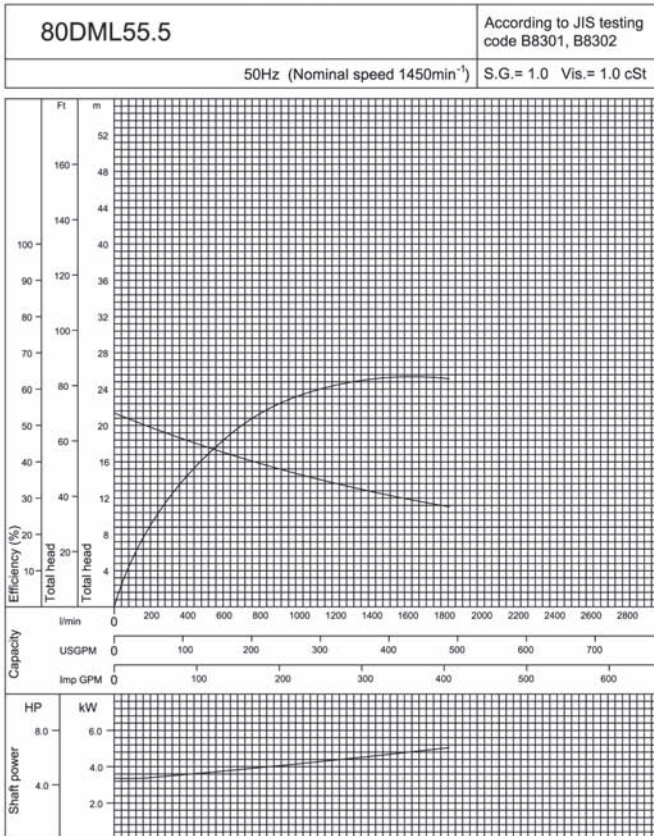
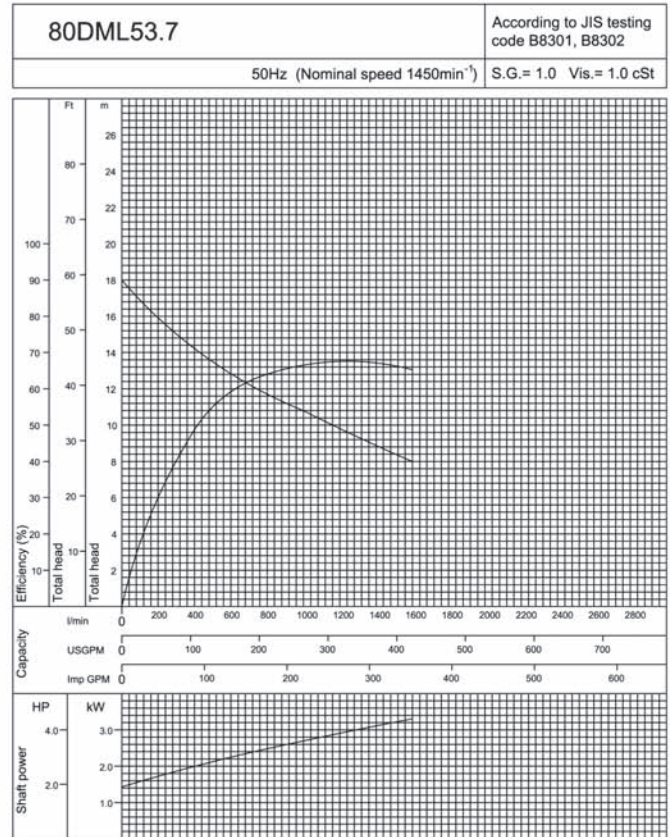
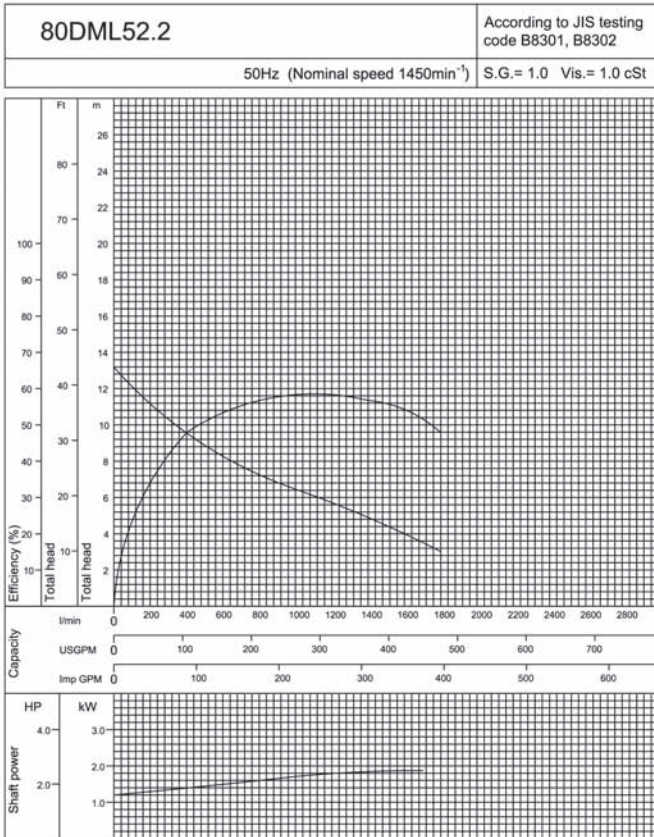
SYMBOLS





PERFORMANCE CURVE

1450min⁻¹

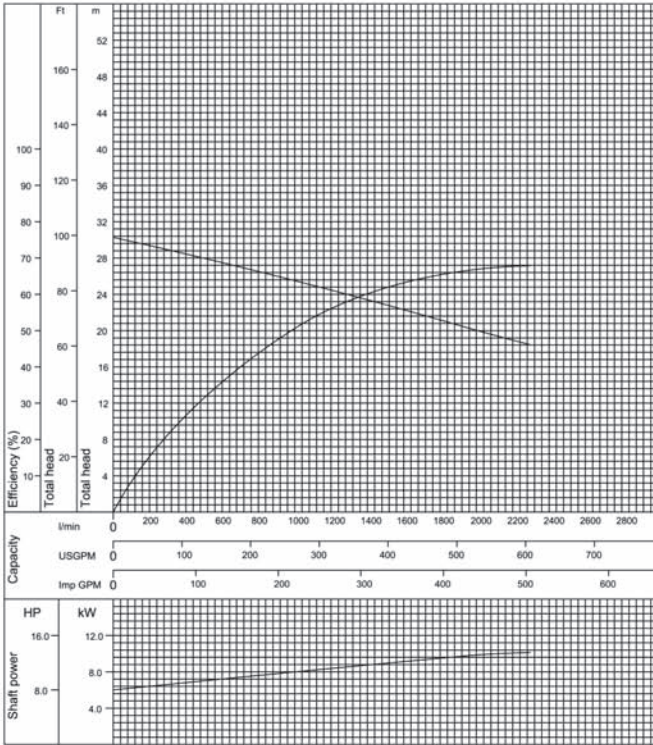




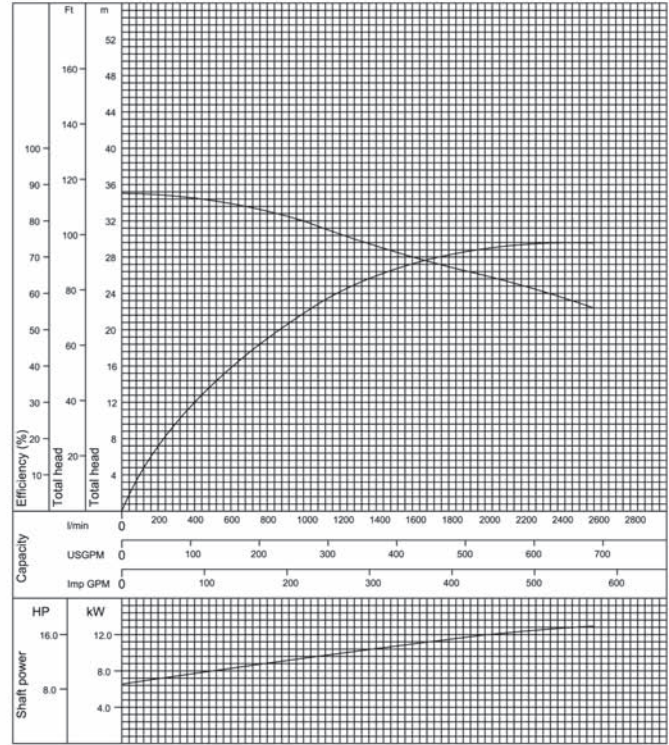
PERFORMANCE CURVE

1450min⁻¹

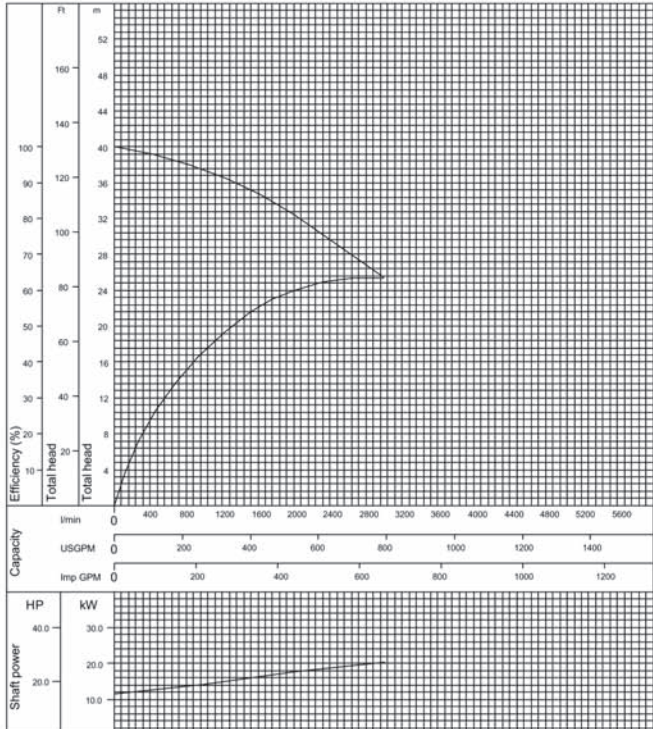
80DML511	According to JIS testing code B8301, B8302
50Hz (Nominal speed 1450min ⁻¹)	S.G.= 1.0 Vis.= 1.0 cSt



80DML515	According to JIS testing code B8301, B8302
50Hz (Nominal speed 1450min ⁻¹)	S.G.= 1.0 Vis.= 1.0 cSt

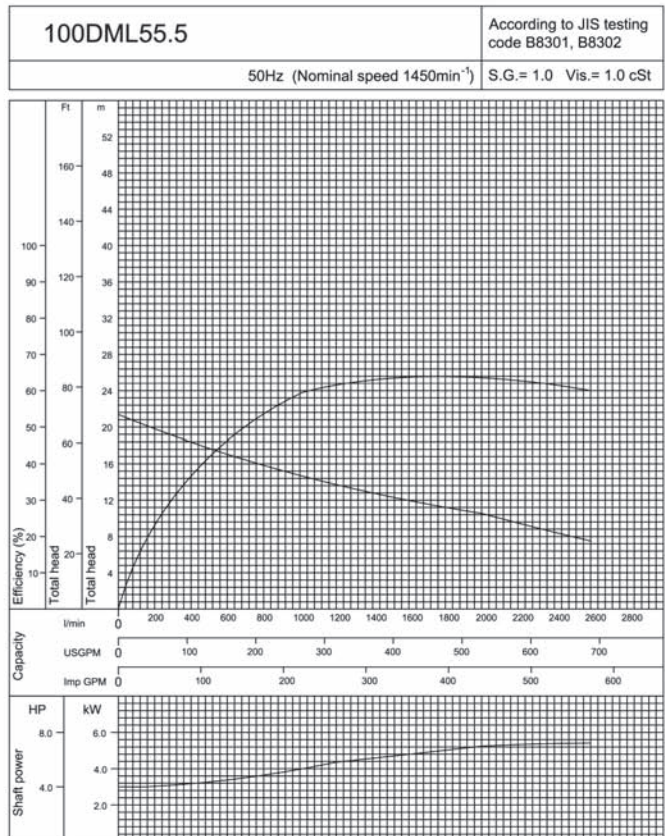
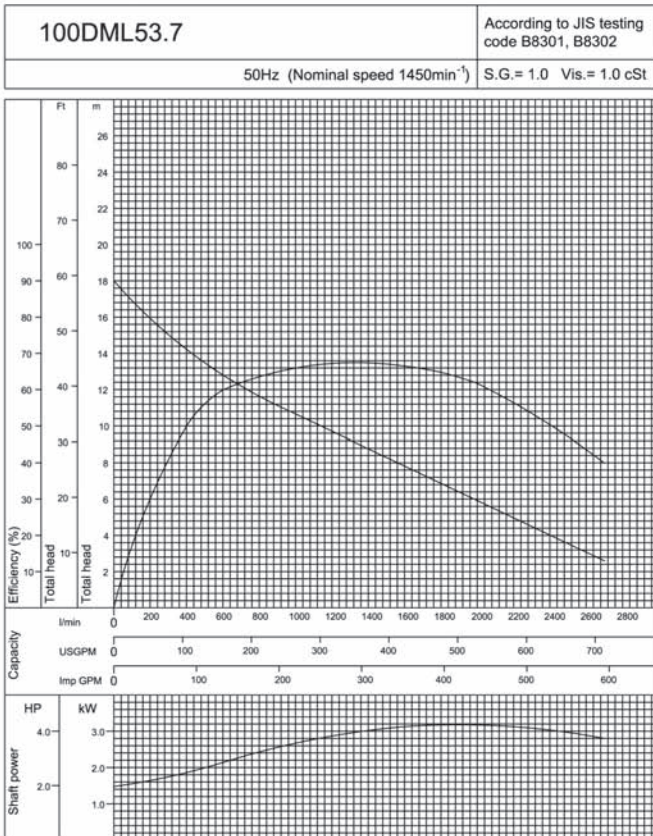
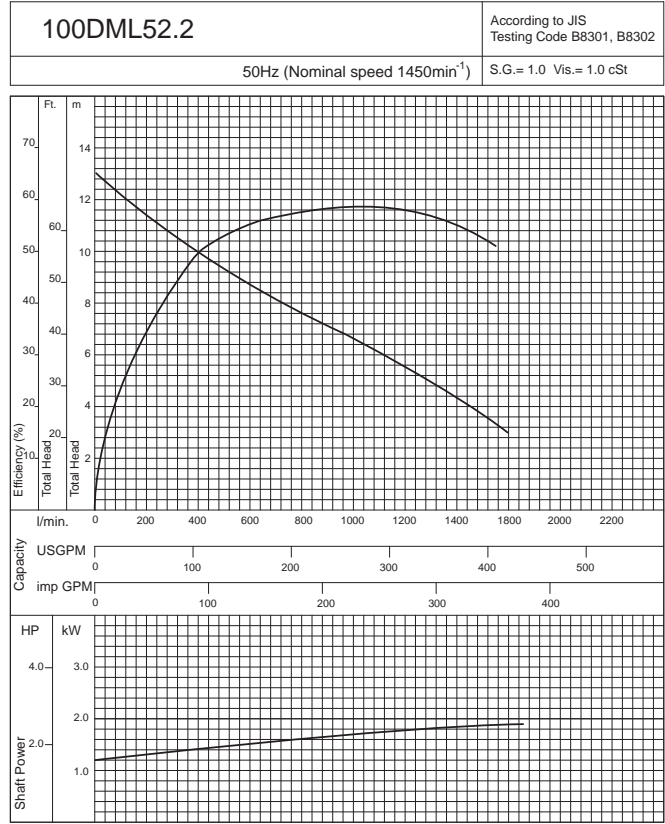
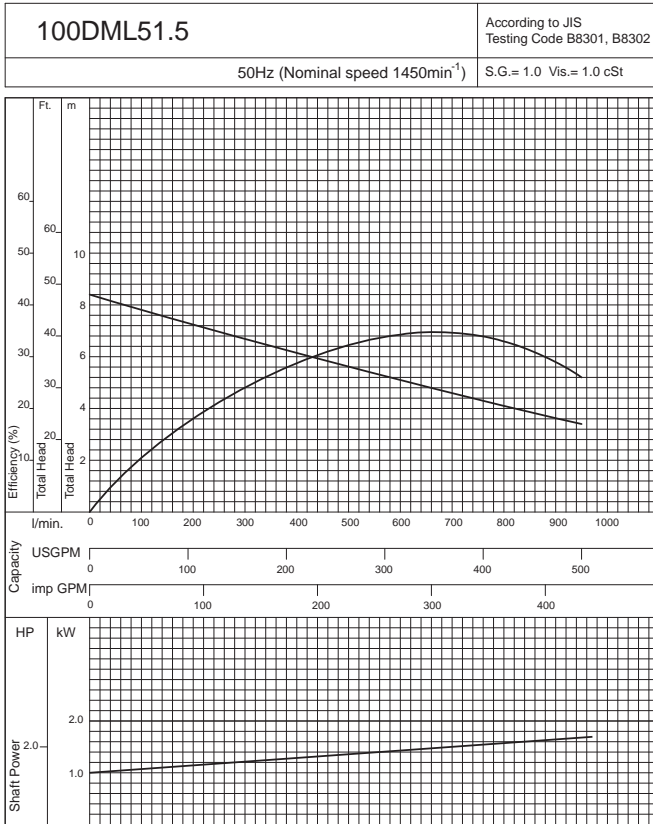


80DML522	According to JIS testing code B8301, B8302
50Hz (Nominal speed 1450min ⁻¹)	S.G.= 1.0 Vis.= 1.0 cSt



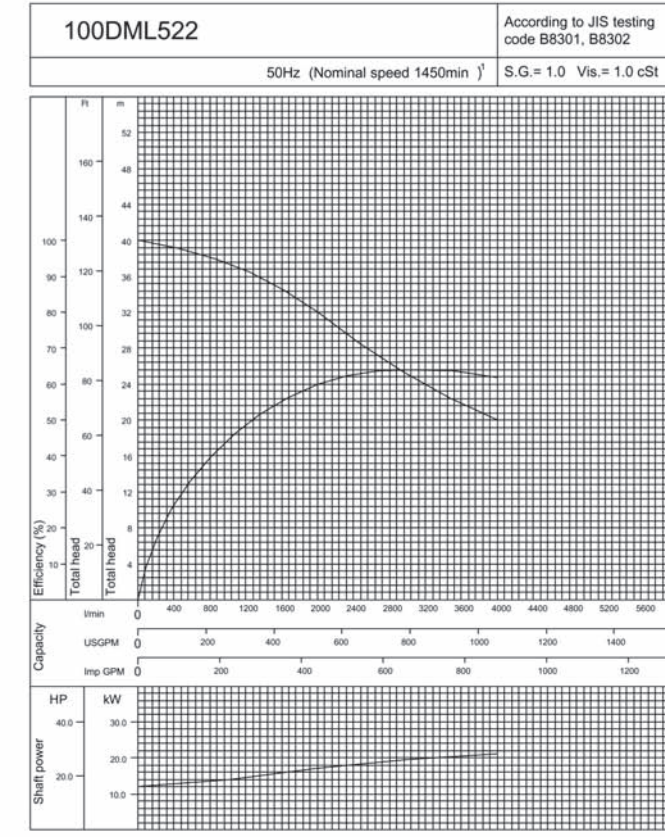
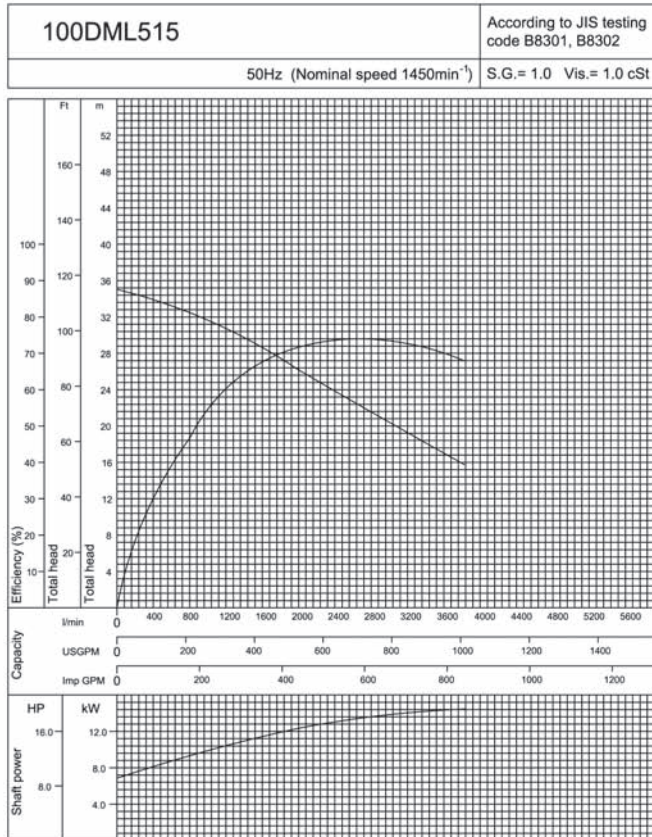
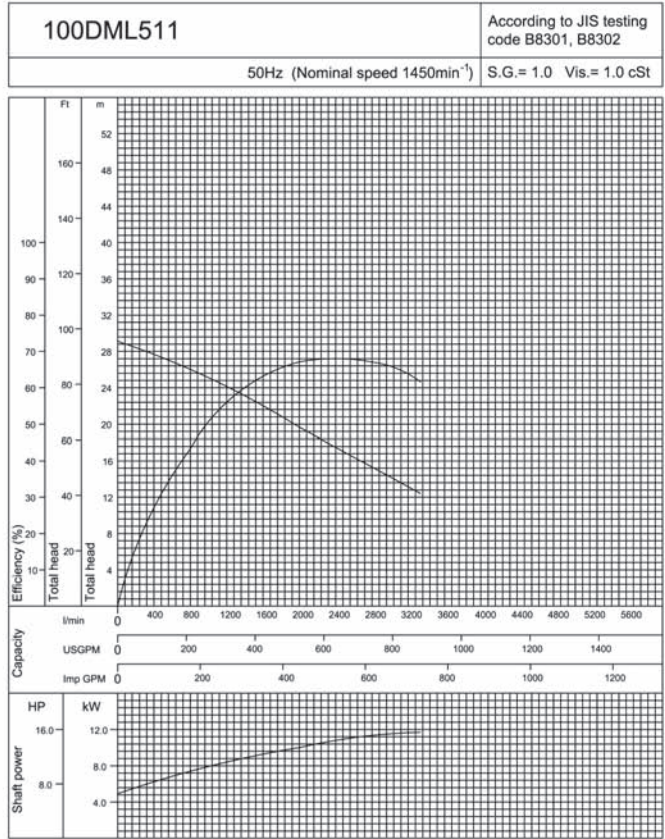
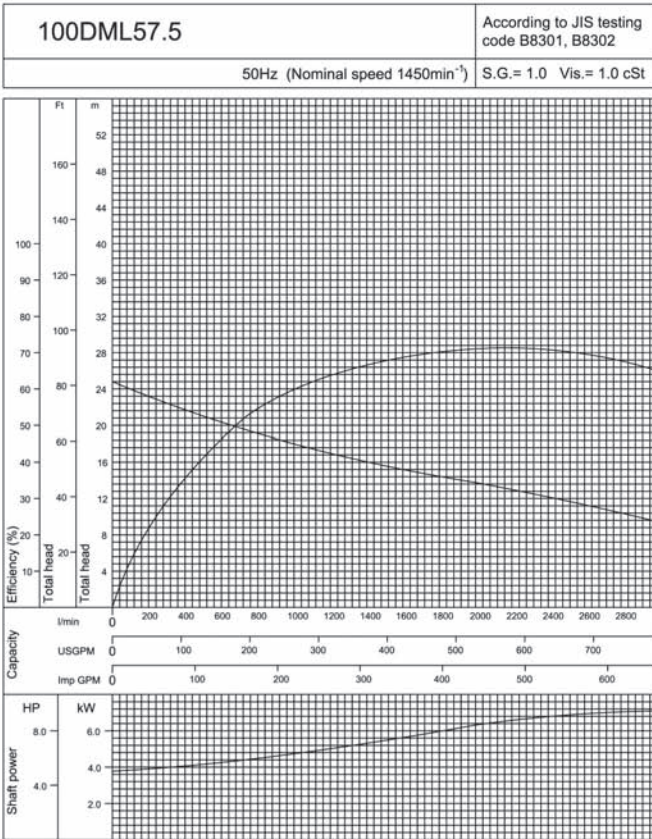
PERFORMANCE CURVE

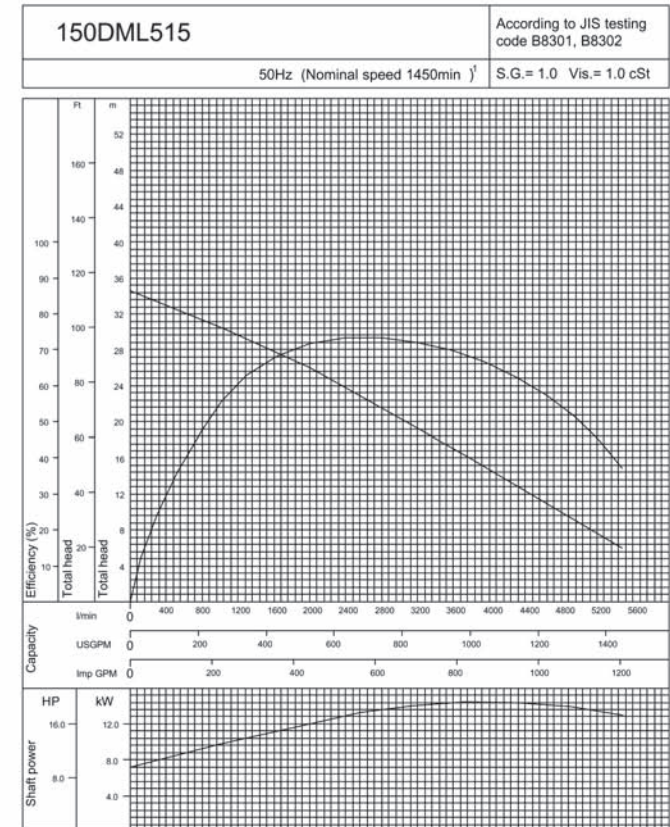
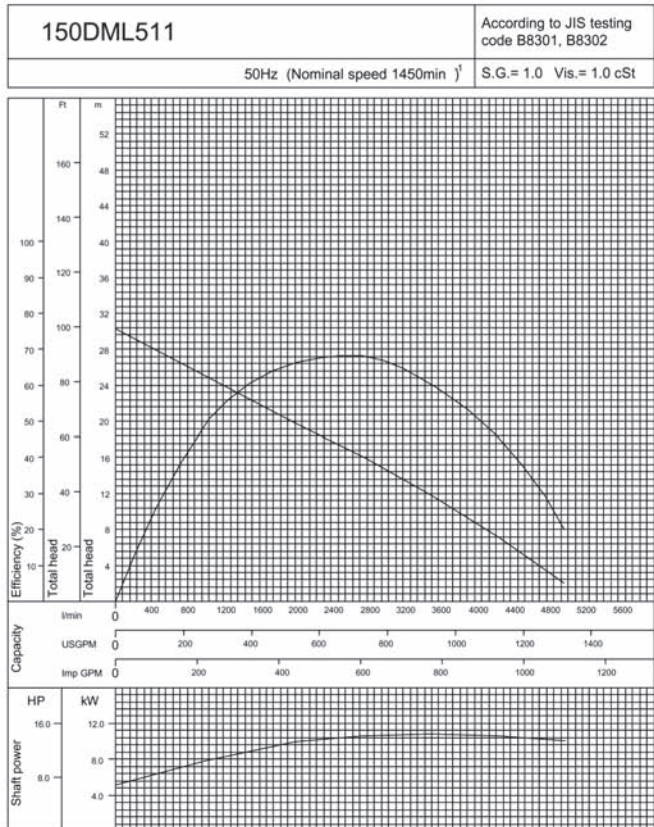
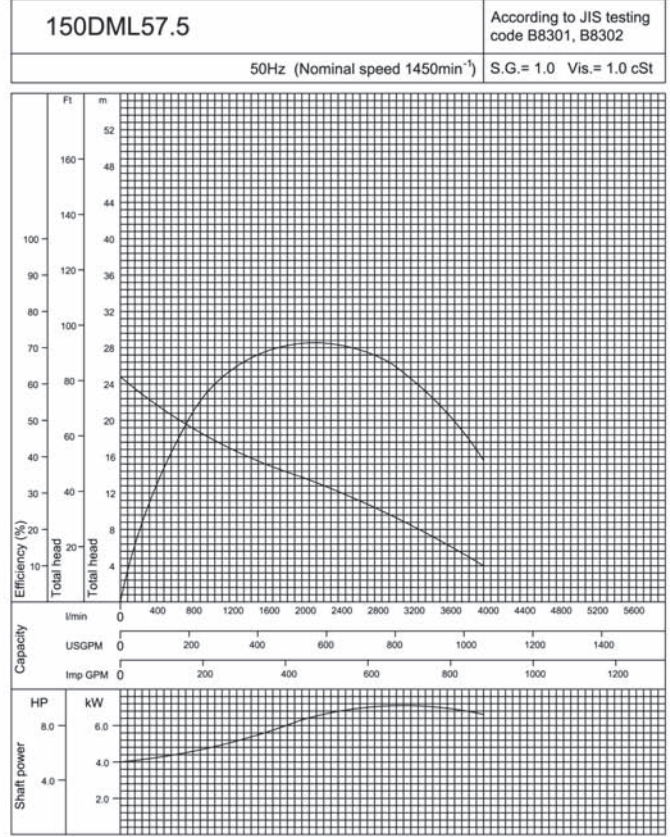
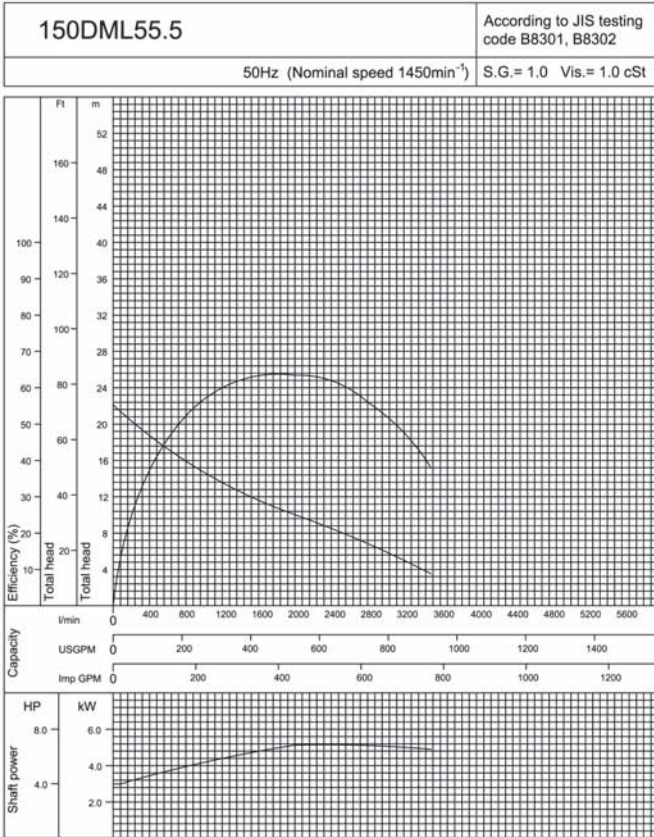
1450min⁻¹



PERFORMANCE CURVE

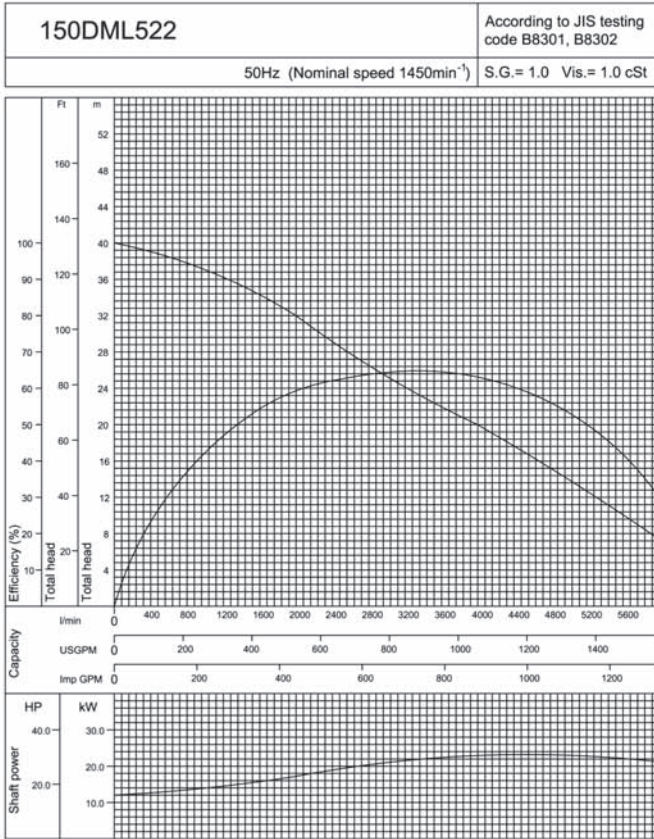
1450min⁻¹



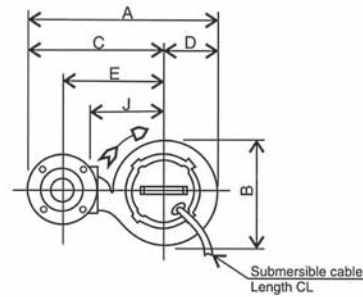
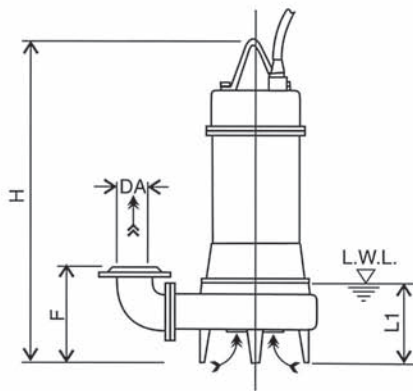
PERFORMANCE CURVE
1450min⁻¹


PERFORMANCE CURVE

1450min⁻¹

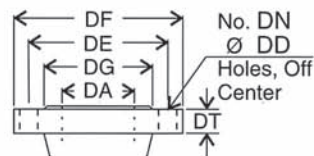


DIMENSION



- Note:
- 1/. L.W.L (Low Water Level) is limited to 10 minutes operation at low water level.
 - 2/. Is limited to 30 minutes operation with water level below top of motor.

Discharge
Flange
Dimensions
(JIS 10kgf/cm²)



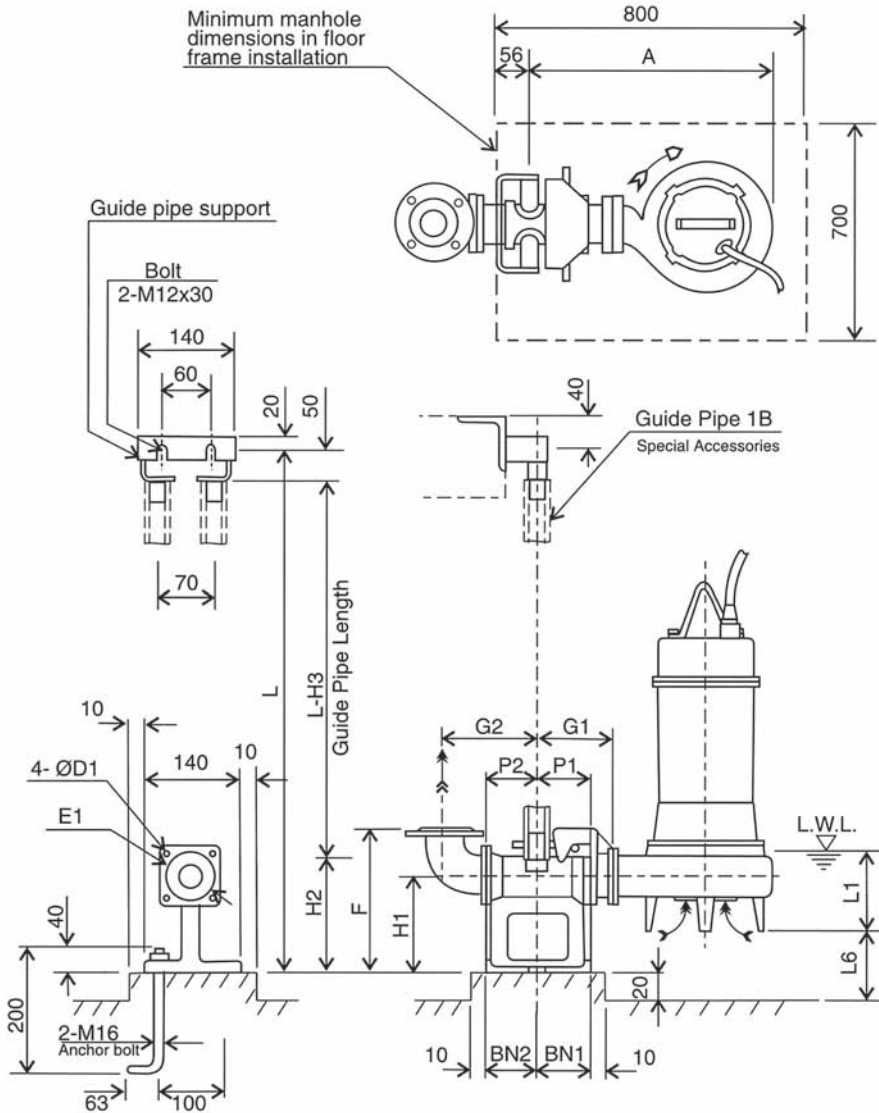
DA	DE	DF	DG	DT	DN	DD
80	150	185	126	18	8	15
100	175	210	151	20	8	15
150	240	280	212	22	8	19

Size	Model	Output kW	A	B	C	D	E	F	H	J	L1	CL	Weight
80	80 DML 52.2	2.2	534	320	378	157	285	298	668	210	278	10m	80 kg
	80 DML 53.7	3.7	534	320	378	157	25	298	727	210	279	10m	87 kg
	80 DML 55.5	5.5	640	381	453	188	360	334	824	255	310	10m	118 kg
	80 DML 57.5	7.5	640	381	453	188	360	334	824	255	310	10m	123 kg
	80 DML 511	11	734	455	513	221	420	350	938	315	329	10m	157 kg
	80 DML 515	15	734	455	513	221	420	350	938	315	329	10m	163 kg
	80 DML 522	22	777	497	533	245	440	363	1021	335	332	10m	223 kg
100	100 DML 51.5	1.5	577	320	420	157	315	313	668	210	279	10m	81 kg
	100 DML 52.2	2.2	577	320	420	157	315	313	668	210	279	10m	81 kg
	100 DML 53.7	3.7	577	320	420	157	315	313	727	210	279	10m	89 kg
	100 DML 55.5	5.5	653	381	465	188	360	334	824	255	310	10m	121 kg
	100 DML 57.5	7.5	653	381	465	188	360	334	824	255	310	10m	125 kg
	100 DML 511	11	746	455	525	221	420	350	938	315	329	10m	160 kg
	100 DML 515	15	746	455	525	221	420	350	938	315	329	10m	166 kg
	100 DML 522	22	790	497	545	245	440	363	1021	335	332	10m	226 kg
150	150 DML 55.5	5.5	713	381	525	188	385	369	824	255	310	10m	127 kg
	150 DML 57.5	7.5	713	381	525	188	385	369	824	255	310	10m	132 kg
	150 DML 511	11	806	455	585	221	445	385	938	315	329	10m	166 kg
	150 DML 515	15	806	455	585	221	445	385	938	315	329	10m	172 kg
	150 DML 522	22	850	497	605	245	465	398	1021	335	332	10m	232 kg

Units: mm unless otherwise specified

DIMENSION WITH QDC

■ Applicable Models - 80 DML 52.2, 53.7



Note:

1/. For detailed dimensions of the pumps, refer to separate dimension data sheets.

2/. The discharge bend and companion flange supplied with the pump are used with the QDC.

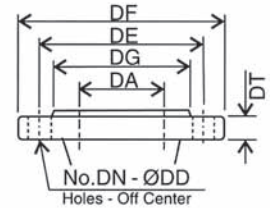
3/. The weight in dimension tables refers only to the weight of the QDC.

4/. Standard accessories supplied with QDC include:-

- Connector body with foundation bolts
- Guide pipe support
- Sliding glide
- Adaptor flange

Guide rail is not supplied.

Discharge Flange
(JIS 10kgf/cm)

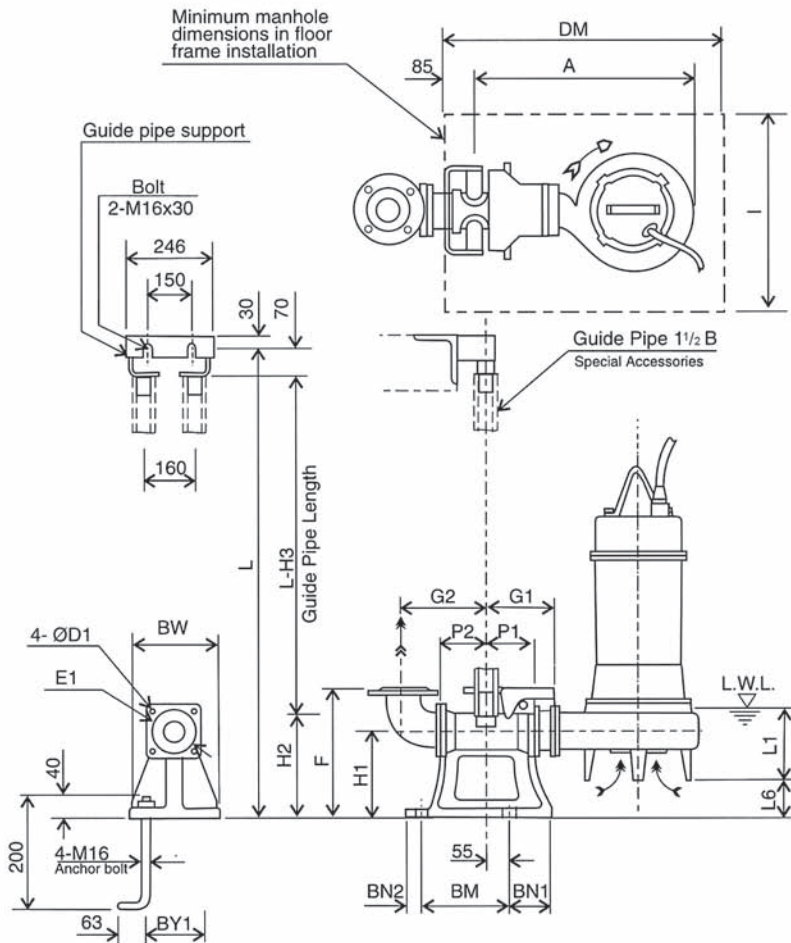


DA	DE	DF	DG	DT	DN	DD
80	150	185	126	18	8	15

Pump Model	Disch. bore	A	P1	P2	G1	G2	F	H1	H2	H3	L1	L6	BN1	BN2	D1	E1	QDC Model	QDC Weight
80 DML 52.2	80	492	75	90	125	165	285	175	230	280	279	7	75	90	15	155	LM80	17 kg
80 DML 53.7	80	492	75	90	125	165	285	175	230	280	279	7	75	90	15	155	LM80	17 kg

DIMENSION WITH QDC

Applicable Models - 80(100)(150) DML



Note:

1/. For detailed dimensions of the pumps, refer to separate dimension data sheets.

2/. The discharge bend and companion flange supplied with the pump are used with the QDC.

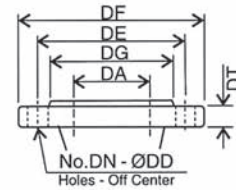
3/. The weight in dimension tables refers only to the weight of the QDC.

4/. Standard accessories supplied with QDC include:-

- Connector body with foundation bolts
- Guide rail support
- Sliding glide
- Adaptor flange

Guide rail is not supplied.

Discharge Flange
(JIS 10kgf/cm)



DA	DE	DF	DG	DT	DN	DD
80	150	185	126	18	8	15
100	175	210	151	20	8	15
150	240	280	212	22	8	19

Pump	Dish. bore	A	P1	P2	G1	G2	F	H1	H2	H3	L1	L6	BN1	BN2	BM	BY1	BW	DM	I	D1	E1	QDC Model	QDC Weight
80 DML 55.5	80	628	105	105	185	210	365	240	265	335	310	31	100	40	220	180	230	800	700	19	175	LL100	46 kg
80 DML 57.5	80	628	105	105	185	210	365	240	265	335	310	31	100	40	220	180	230	800	700	19	175	LL100	46 kg
80 DML 511	80	721	105	105	185	210	365	240	265	335	329	15	100	40	220	180	230	1000	700	19	175	LL100	46 kg
80 DML 515	80	721	105	105	185	210	365	240	265	355	329	15	100	40	220	180	230	1000	700	19	175	LL100	46 kg
80 DML 522	80	765	105	105	185	210	365	240	265	335	332	12	100	40	220	180	230	1000	700	19	175	LL100	46 kg
100 DML 51.5	100	552	105	105	185	210	365	240	255	325	279	52	100	40	220	180	230	800	700	19	155	LL100	46 kg
100 DML 52.2	100	552	105	105	185	210	365	240	255	325	279	52	100	40	220	180	230	800	700	19	155	LL100	46 kg
100 DML 53.7	100	552	105	105	185	210	365	240	255	325	279	52	100	40	220	180	230	800	700	19	155	LL100	46 kg
100 DML 55.5	100	628	105	105	185	210	365	240	265	335	310	31	100	40	220	180	230	800	700	19	175	LL100	46 kg
100 DML 57.5	100	628	105	105	185	210	365	240	265	335	310	31	100	40	220	180	230	800	700	19	175	LL100	46 kg
100 DML 511	100	721	105	105	185	210	365	240	265	335	329	15	100	40	220	180	230	1000	700	19	175	LL100	46 kg
100 DML 515	100	721	105	105	185	210	365	240	265	335	329	15	100	40	220	180	230	1000	700	19	175	LL100	46 kg
100 DML 522	100	765	105	105	185	210	365	240	265	335	332	12	100	40	220	180	230	1000	700	19	175	LL100	46 kg
150 DML 55.5	150	628	105	105	185	235	400	240	265	335	210	21	100	40	220	180	230	800	700	19	175	LL100	46 kg
150 DML 57.5	150	628	105	105	185	235	400	240	265	335	310	31	100	40	220	180	230	800	700	19	175	LL100	46 kg
150 DML 511	150	721	105	105	185	235	400	240	265	335	329	15	100	40	220	180	230	1000	700	19	175	LL100	46 kg
150 DML 515	150	721	105	105	185	235	400	240	265	335	329	15	100	40	220	180	230	1000	700	19	175	LL100	46 kg
150 DML 522	150	765	105	105	185	235	400	240	265	335	332	12	100	40	220	180	230	1000	700	19	175	LL100	46 kg

Units: mm unless otherwise specified